

iPOLiS



The Eco mark represents Samsung Techwin's will to create environment-friendly products, and indicates that the product satisfies the EU RoHS Directive.

Design and specifications are subject to change without notice.



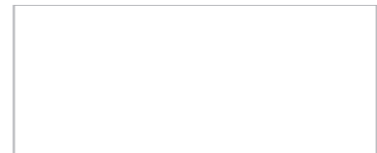
SAMSUNG TECHWIN CO., LTD.
Samsungtechwin R&D Center, 701, Sampyeong-dong, Bundang-gu, Seongnam-si, Gyeonggi-do Korea 463-400
Tel: +82-70-7147-8741 ~ 8749 Fax: +82-70-7147-8752 ~ 8760 Fax: +82-31-8018-3745
www.samsungsecurity.com www.samsungcctv.com

SAMSUNG TECHWIN AMERICA Inc.
1480 Charles Willard St, Carson, CA 90746, UNITED STATES
Tel Free: +1-877-213-1222 Fax: +1-310-632-2195
www.samsungcctvusa.com

SAMSUNG TECHWIN EUROPE LTD.
Samsung House, 1000 Hillswood Drive, Hillswood Business Park
Chertsey, Surrey, UNITED KINGDOM KT16 0PS
Tel: +44-1932-45-5300 Fax: +44-1932-45-5325

TIANJIN SAMSUNG TECHWIN OPTO-ELECTRONICS CO., LTD.
No.11 Wei 6 Street, Micro-Electronic Industrial Park
Jingang Road, Tianjin, P.R. CHINA 300385
Tel: +86-22-23887788 Fax: +86-22-23887788

■ DISTRIBUTED BY



M.E-1003

SAMSUNG

iPOLiS



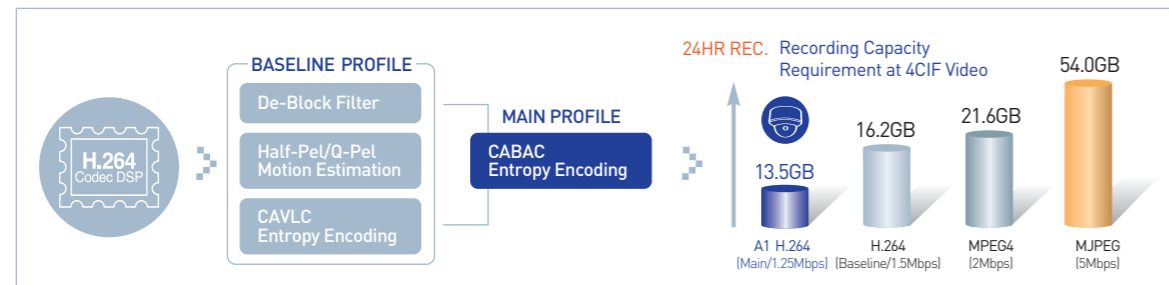
H.264 A1 Network Camera

- SNB-2000
- SNB-3000
- SND-3080(F)
- SNV-3080



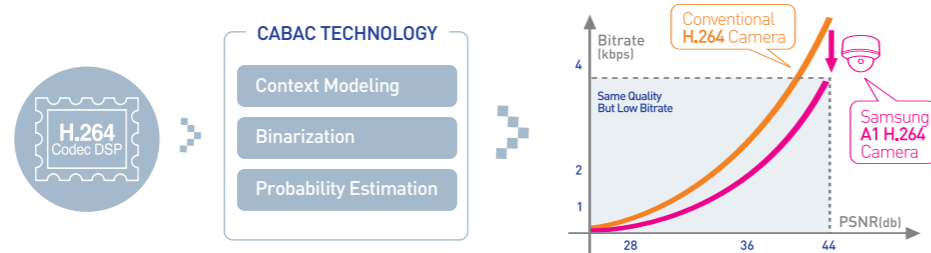
www.samsungipolis.com

High Performance H.264 Compression



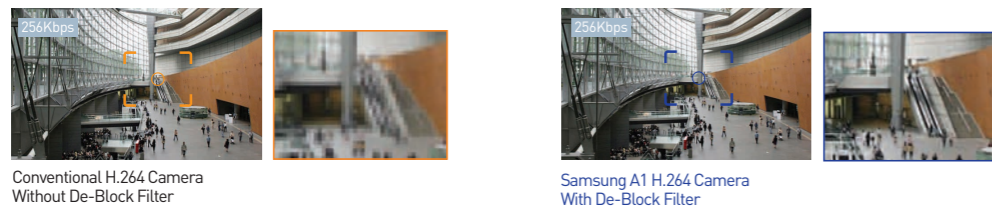
■ CABAC Entropy coding Technology

Samsung A1 Network Camera has been adopted the H.264 CABAC Entropy Coding Technology, so the H.264 performance has been enhanced much better than normal H.264 compression method. With CABAC technology, Samsung network camera will provide a significant benefit to network transmitting with less bandwidth usage.



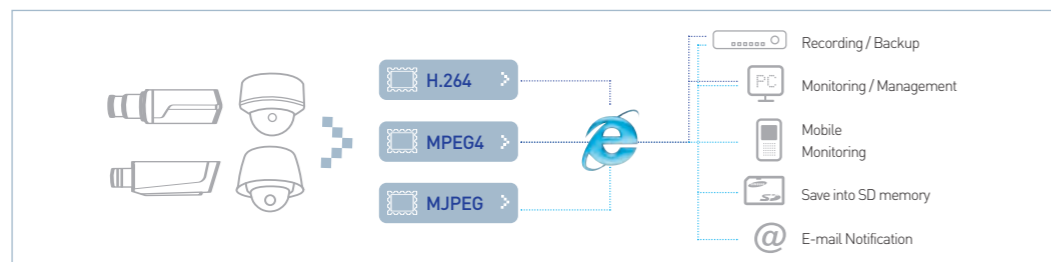
■ De-block Filter

The De-Block Filter technology allows Samsung A1 Network Camera to guarantee perfect image quality when it transmits low bit rate video through narrow bandwidth network. Because the De-Block Filter minimizes the block noise which is occurred when video is compressed highly to be sent through low speed bandwidth.



■ Multi-Codec & Multi-Usage

Dual Streaming including H.264 or MPEG4 and MJPEG can be transmitted simultaneously, enabling multiple purposes such as real time monitoring, high quality or high efficiency recording, mobile monitoring, E-mail notification, and SD memory save.



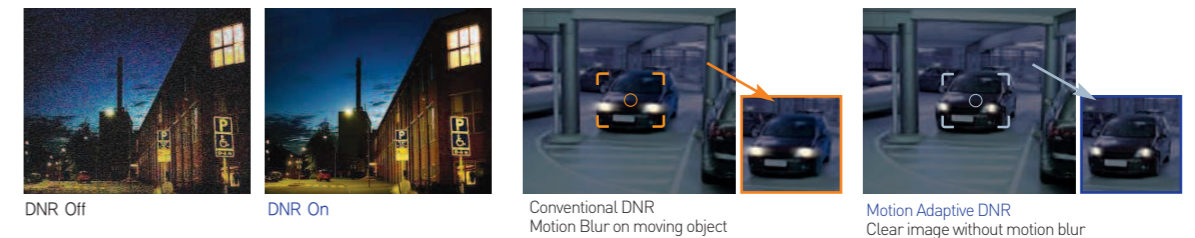
■ Super High-Resolution-600TVL

Samsung A1 network camera offers the best quality of digital image with using the industry leading video/image processing technology of Samsung Techwin. The 600 TV Lines analog signal of A1 camera DSP makes A1 network camera provide enhanced digital image.



■ Motion Adaptive Digital Noise Reduction

A1 DNR technology utilizes both an adaptive 2D filter reducing noise in the brightness of the image and an adaptive 3D filter reducing noise caused by movement. The result is that A1 network camera supports Motion Adaptive DNR function that removes noise and greatly reduce motion blur.



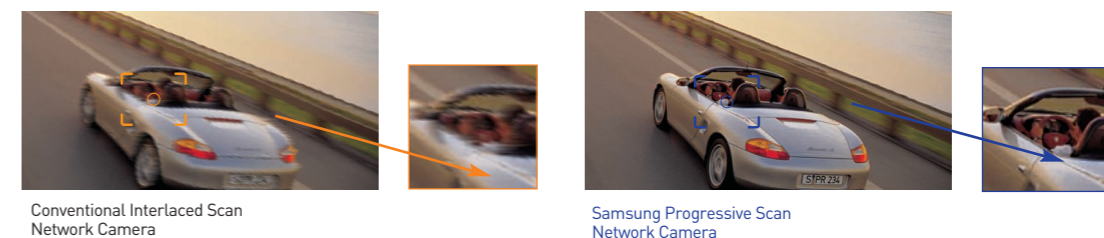
■ eXtended Dynamic Range (XDR)

Samsung A1 Network Camera provides XDR (eXtended Dynamic Range) technology to increase the level of visible detail in the dark areas, while maintaining image clarity and detail in the brighter portions of the image.



■ Progressive Scan Network Camera

Samsung A1 Network Camera's progressive scan technology allows for the capture of noiseless, high-quality video of moving subjects.



SNB-2000

1/3" H.264 Network Camera



- Real-time 30(25)fps at High Resolution(4CIF)
- H.264, MPEG-4 & MJPEG Multiple Encoding
- Progressive Scan
- XDR (eXtended Dynamic Range)
- Motion Adaptive DNR (Dynamic Noise Reduction)
- Privacy Mask (12ea)
- DIS (Digital Image Stabilizer)
- DDNS support, HTTPS security support
- IPv4/IPv6 support
- Standard RTP/RTSP support
- PoE (Power over Ethernet)



SNB-3000

1/3" H.264 WDR Network Camera



- Real-time 30(25)fps at High Resolution(4CIF)
- H.264, MPEG-4 & MJPEG Multiple Encoding
- Progressive Scan
- Day & Night Function(IR Cut Filter)
- WDR (Wide Dynamic Range)
- Bi-directional Audio Support
- SD Memory Slot for Internal Recording
- Intelligent Video Analytics
- XDR (eXtended Dynamic Range)
- Motion Adaptive DNR (Dynamic Noise Reduction)
- Privacy Mask (12ea)
- DIS (Digital Image Stabilizer)
- PoE (Power over Ethernet)

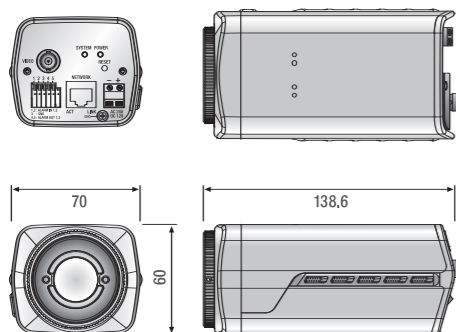


Technical Specifications

Camera	SNB-2000	
Camera Type	Color / B/W	Color
Device	Super HAD PS CCD	
Image Size	1/3"	
Scan	Progressive Scan	
	NTSC : 811 x 508 / PAL : 795 x 596	
Pixels	Total	NTSC : 688 x 494 / PAL : 752 x 582
	Effective	
Horizontal Frequency	Internal Mode	NTSC : 15.734Hz
	Internal Mode	PAL : 15.625Hz
Vertical Frequency	Internal Mode	NTSC : 59.94Hz
	Internal Mode	PAL : 50Hz
Min. Scene Illumination	Color	0.12Lux (15 IRE) / 0.2Lux (30 IRE) / 0.4Lux (50 IRE)
	Sens-off	0.00023Lux (15 IRE) / 0.0005Lux (30 IRE) / 0.0008Lux (50 IRE)
B/W	Sens-off	0.12Lux (15 IRE) / 0.2Lux (30 IRE) / 0.4Lux (50 IRE)
	Sens-up 512x	0.00023Lux (15 IRE) / 0.0005Lux (30 IRE) / 0.0008Lux (50 IRE)
Functions	Number of Privacy Zone	12ea (Polygonal method)
	Day & Night	Color / B/W / Auto (Soft method)
	eXtended Dynamic Range(XDR)	On / Off (Level setting)
	Wide Dynamic Range	N/A
	Digital Zoom	1x ~ 16x (0.1x step)
	PIP	On / Off
	Electronic Shutter Speed	NTSC : 1/60 ~ 1/10Ksec / PAL : 1/50 ~ 1/10Ksec
	Sens-up (Frame Integration)	2x ~ 512x
	Backlight Compensation	On / Off (Area setting)
	White Balance	ATW1 / ATW2 / AWC / 3200K° / 5600K°
Digital Noise Reduction	On / Off (Adaptive 3D + 2D)	
Digital Image Stabilization	On / Off	
Camera ID	On / Off (Max. 54ea / 2 line)	
Etc. Function	Detail, Reverse (H/V), Posi/Nega	
Resolution	Horizontal / Vertical	600TV lines / 350TV lines
Video Output		VBS 1.0Vp-p
S/N Ratio		52dB
Lens	Lens Drive Type	Manual / AI (VIDEO / DC)
	Mount Type	CS / C
Environmental Conditions	Operating Temperature	-10°C ~ +50°C (+14°F ~ +122°F)
	Operating Humidity	0% ~ 90% RH
Power	Power Requirement	Dual (12V DC / 24V AC), PoE
	Power Consumption	Max. 7W
Physical Specification	LED Indicator	Yes
	Dimensions (WxHxD)	72 x 60 x 138.6mm (2.83" x 2.36" x 5.46")
	Weight	300g (0.66 lb)
	Color / Case	Silver / Metal

Network	SNB-2000	
OS		Embedded Linux
	Flash memory	32M byte
RAM		256M byte
	Ethernet	RJ-45 (10/100 Base-T)
Video Out		VBS 1.0Vp-p
	Audio	N/A
SD Memory Slot		N/A
	PoE	Yes (IEEE802.3af)
Input / Output		2ea / 2ea
	Compression	H.264 / MPEG-4 / MJPEG Multiple codec (H.264 / MPEG-4 selectable)simultaneous dual streaming
Resolution	4CIF	NTSC : 704 x 480 / PAL : 704 x 576
	VGA	640 x 480
CIF		NTSC : 352 x 240 / PAL : 352 x 288
	Max. Frame Rate	NTSC : 30, 15, 8, 3, 1fps / PAL : 25, 13, 6, 3, 1fps
Quality		1 ~ 10 level (CBR / VBR)
	Compression	N/A
Bi-Directional Communication		N/A
	Camera Control and Adjustment	OSD menu on video (Menu enter/exit, move by Web UI)
Sensitivity and Area Setting		High / Medium / Low
	Intelligent Video Analytics	N/A
IP		IPv4 / IPv6
	Network	TCP/IP, UDP/IP, RTP (UDP), RTP (TCP), RTSP, NTP, HTTP, HTTPS, SSL, DHCP
Protocol	IPv4	PPPoE, FTP, SMTP, ICMP, IGMP, SNMPv1/v2c/v3 (MIB-2), ARP, DNS, DDNS
	IPv6	TCP/IP, HTTP, HTTPS, SSL, DHCP
Streaming		Unicast, Multicast
	Security	HTTPS (SSL) login authentication, Digest login authentication, IP address filtering
DDNS		Supporting samsung DDNS and public DDNS services
	Maximum User Access	Max. 10 users at Unicast mode, Max. 20 users at Multicast mode
Administrator		Live monitoring, Alarm I/O control, OSD menu control, Set up
	Operator	Live monitoring, Alarm I/O control
User		Live monitoring
	Alarm Input	JPEG image transfer : FTP, JPEG image recording : SD memory
Motion Detection		Notification : notify to viewer or by E-mail (one image attachment)
	Schedule	Alarm out
Supported OS		Windows XP, VISTA, 7
	Supported Browser	Internet Explorer 6.0 or higher
UI Language		English, French, German, Spanish, Italian, Chinese, Korean
	S/W Upgrade	Using web viewer UI
RTP / RTSP Streaming		Quicktime, VLC player
Samsung CMS S/W, 3rd party S/W application		
IP installer application for all Samsung IP devices		
CGI Command		Provides functionality to control cameras and set/retrieve internal parameter values
	Get JPEG image or MJPEG stream, Alarm in/out control	
RTP header, RTSP command document		
ActiveX API for viewing data streams from IP camera		

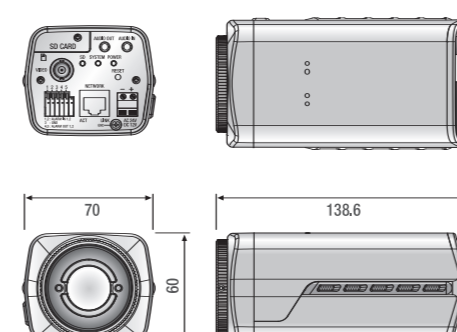
Dimensions



Technical Specifications

Camera	SNB-3000	
Camera Type	Color / B/W	Color
Device	Super HAD PS CCD	
Image Size	1/3"	
Scan	Progressive Scan (* When WDR on, Interlaced scan)	
	NTSC : 811 x 508 / PAL : 795 x 596	
Pixels	Total	NTSC : 688 x 494 / PAL : 752 x 582
	Effective	
Horizontal Frequency	Internal Mode	NTSC : 15.734Hz
	Internal Mode	PAL : 15.625Hz
Vertical Frequency	Internal Mode	NTSC : 59.94Hz
	Internal Mode	PAL : 50Hz
Min. Scene Illumination	Color	0.12Lux (15 IRE) / 0.2Lux (30 IRE) / 0.4Lux (50 IRE)
	Sens-off	0.00023Lux (15 IRE) / 0.0005Lux (30 IRE) / 0.0008Lux (50 IRE)
B/W	Sens-off	0.012Lux (15 IRE) / 0.02Lux (30 IRE) / 0.04Lux (50 IRE)
	Sens-up 512x	0.00023Lux (15 IRE) / 0.0005Lux (30 IRE) / 0.0008Lux (50 IRE)
Functions	Number of Privacy Zone	12ea (4-point polygonal method)
	Day & Night	Color / B/W / Auto (ICR)
	eXtended Dynamic Range (XDR)	On / Off (Level setting)
	Wide Dynamic Range	NTSC : On / Off (128x) / PAL : On / Off (160x)
	Digital Zoom	1x ~ 16x (0.1x step)
	PIP	On / Off
	Electronic Shutter Speed	NTSC : 1/60 ~ 1/10Ksec / PAL : 1/50 ~ 1/10Ksec
	Sens-up (Frame Integration)	2x ~ 512x
	Backlight Compensation	On / Off (Area setting)
	White Balance	ATW1 / ATW2 / AWC / 3200K° / 5600K°
Digital Noise Reduction	On / Off (Adaptive 3D + 2D)	
Digital Image Stabilization	On / Off	
Camera ID	On / Off (Max. 54ea / 2 line)	
Etc. Function	Detail, Reverse (H/V), Posi/Nega	
Resolution	Horizontal / Vertical	600TV lines / 350TV lines
Video Output		VBS 1.0Vp-p
S/N Ratio		52dB
Lens	Lens Drive Type	Manual / AI (VIDEO / DC)
	Mount Type	CS / C
Environmental Conditions	Operating Temperature	-10°C ~ +50°C (+14°F ~ +122°F)
	Operating Humidity	0% ~ 90% RH
Power	Power Requirement	Dual (12V DC / 24V AC), PoE
	Power Consumption	Max. 8W
Physical Specification	LED Indicator	Yes
	Dimensions (WxHxD)	72 x 60 x 138.6mm (2.83" x 2.36" x 5.46")
	Weight	300g (0.66 lb)
	Color / Case	Silver / Metal

Dimensions



Network	SNB-3000	
OS		Embedded Linux
	Flash memory	32M byte
RAM		256M byte
	Ethernet	RJ-45 (10/100 Base-T)
Video Out		VBS 1.0Vp-p
	Audio	Line in / Line out
SD Memory Slot		Yes (SD / SDHC)
	PoE	Yes (IEEE802.3af)
Input / Output		2ea / 2ea
	Compression	H.264 / MPEG-4 / MJPEG Multiple codec (H.264 / MPEG-4 selectable)simultaneous dual streamin
Resolution	4CIF	NTSC : 704 x 480 / PAL : 704 x 576
	VGA	640 x 480
CIF		NTSC : 352 x 240 / PAL : 352 x 288
	Max. Frame Rate	NTSC : 30, 15, 8, 3, 1fps / PAL : 25, 13, 6, 3, 1fps
Quality		1 ~ 10 level (CBR / VBR)
	Compression	G.711
Bi-Directional Communication		Yes
	Camera Control and Adjustment	OSD menu on video (Menu enter/exit, move by Web UI)
Sensitivity and Area Setting		Scene change, Virtual line, Enter/Exit, Appear/Disappear
	Intelligent Video Analytics	IPV4 / IPV6
Network		TCP/IP, UDP/IP, RTP (UDP), RTP (TCP), RTSP, NTP, HTTP, HTTPS, SSL, DHCP
	IPv4	PPPoE, FTP, SMTP, ICMP, IGMP, SNMPv1/v2c/v3 (MIB-2), ARP, DNS, DDNS
Protocol	IPv6	TCP/IP, HTTP, HTTPS, SSL, DHCP
	Streaming	Unicast, Multicast
Security		HTTPS (SSL) login authentication, Digest login authentication, IP address filtering
	DDNS	Supporting samsung DDNS and public DDNS services
Maximum User Access		Max. 10 users at Unicast mode, Max. 20 users at Multicast mode
	Administrator	Live monitoring, Alarm I/O control, OSD menu control, Set up
Operator		Live monitoring, Alarm I/O control
	User	Live monitoring
Alarm Input		JPEG image transfer : FTP, JPEG image recording : SD memory
	Intelligent Video Detection	Notification : notify to viewer or by E-mail (one image attachment), Alarm out
Schedule		JPEG image transfer : FTP, E-mail, JPEG image recording : SD memory
	Supported OS	Windows XP, VISTA, 7
Supported Browser		Internet Explorer 6.0 or higher
	UI Language	English, French, German, Spanish, Italian, Chinese, Korean
S/W Upgrade		Using web viewer UI
	RTP / RTSP Streaming	Quicktime, VLC player
Samsung CMS S/W, 3rd party S/W application		
IP installer application for all Samsung IP devices		
CGI Command		Provides functionality to control cameras and set/retrieve internal parameter values
	Get JPEG image or MJPEG stream, Alarm in/out control	
RTP header, RTSP command document		
ActiveX API for viewing data streams from IP camera		

SND-3080(F)

H.264 WDR Network Dome Camera



- 2.8-11mm Vari-Focal Lens
- Real-time 30[25]ips at High Resolution[4CIF]
- H.264, MPEG-4 & MJPEG Multiple Encoding
- Progressive Scan
- WDR (Wide Dynamic Range)
- SD Memory Slot for Internal Recording
- XDR (eXtended Dynamic Range)
- Motion Adaptive DNR (Dynamic Noise Reduction)
- Privacy Mask (12ea)
- DIS (Digital Image Stabilizer)
- PoE (Power over Ethernet)

SNV-3080

H.264 Anti-Vandal WDR Network Dome Camera

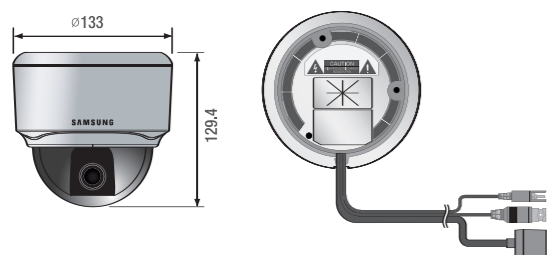


- 2.8-11mm Vari-Focal Lens
- Fan/Heater built-in for Outdoor Installation
- Real-time 30[25]ips at High Resolution[4CIF]
- H.264, MPEG-4 & MJPEG Multiple Encoding
- Progressive Scan
- WDR (Wide Dynamic Range)
- Day & Night Function (IR Cut Filter)
- Bi-directional Audio Support
- SD Memory Slot for Internal Recording
- Intelligent Video Analytics
- XDR (eXtended Dynamic Range)
- Motion Adaptive DNR (Dynamic Noise Reduction)
- Privacy Mask (12ea)
- DIS (Digital Image Stabilizer)
- PoE (Power over Ethernet)
- IP66

Technical Specifications

Camera	SND-3080/3080F	
Camera Type	Color / B/W	Color
Device		Super HAD PS CCD
Size		1/3"
Image	Scan	Progressive Scan
	Horizontal	NTSC : 811 x 508 / PAL : 795 x 596
Pixels	Total Effective	NTSC : 768 x 494 / PAL : 752 x 582
	Internal Mode	NTSC : 15,734Hz
Scanning	Vertical Frequency	PAL : 15,625Hz
	Internal Mode	NTSC : 59.94Hz
Min. Scene Illumination	Color	0.12Lux (15 IRE) / 0.2Lux (30 IRE) / 0.4Lux (50 IRE)
	Sens-up 512x	0.00023Lux (15 IRE) / 0.0005Lux (30 IRE) / 0.0008Lux (50 IRE)
	Sens-off	0.12Lux (15 IRE) / 0.2Lux (30 IRE) / 0.4Lux (50 IRE)
	Sens-up 512x	0.00023Lux (15 IRE) / 0.0005Lux (30 IRE) / 0.0008Lux (50 IRE)
Functions	Number of Privacy Zone	12ea (Polygonal method)
	Day & Night	Color / B/W / Auto (Soft method)
	eXtended Dynamic Range (XDR)	On / Off (Level setting)
	Wide Dynamic Range	NTSC : On / Off (128x) / PAL : On / Off (160x)
	Digital Zoom	1x ~ 16x (0.1x step)
	PIP	On / Off
	Electronic Shutter Speed	NTSC : 1/60 ~ 1/10Ksec / PAL : 1/50 ~ 1/10Ksec
	Flickerless	On / Off
	Sens-up (Frame Integration)	2x ~ 512x
	Backlight Compensation	On / Off (Area setting)
	AGC	On / Off (Max. level setting)
	White Balance	ATW1 / ATW2 / AWC / Manual
Digital Noise Reduction	On / Off (Adaptive 3D + 2D)	
Digital Image Stabilization	On / Off	
Camera ID	On / Off (Max. 54ea / 2 line)	
Etc. Function	Detail, Reverse (H/V), Posi/Nega	
Resolution	Horizontal / Vertical	600TV lines / 350TV lines
	Video Output	VBS 1.0Vp-p
S/N Ratio		52dB
	Focal Length	2.8 ~ 11mm
Lens	Zoom Ratio	3.9x
	Aperature Ratio	F1.2
	Angular Field of View	H : 94.6°(Wide) ~ 28.8°(Tele) / V : 68.4°(Wide) ~ 21.6°(Tele)
	Mount Type	AI (DC)
Environmental Conditions	Operating Temperature	-10°C ~ +50°C (+14°F ~ +122°F)
	Operating Humidity	0% ~ 90% RH
Power	Power Requirement	Dual (12V DC / 24V AC), PoE
	Power Consumption	Max. 8W
Physical Specification	LED Indicator	Yes
	Dimensions (WxH)	SND-3080 : 0133 x 129.4mm (05.24" x 5.09") SND-3080F : 0159.9 x 126mm (06.3" x 4.96") SND-3080 : 523g (1.15 lb) / SND-3080F : 650g (1.43 lb)
Weight		
Color / Case		White / Plastic

Dimensions

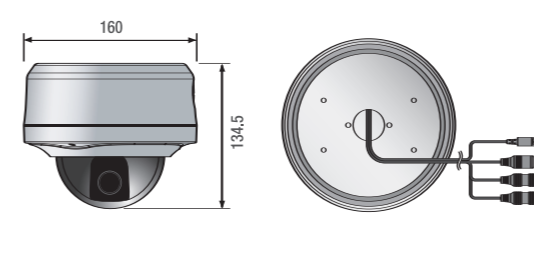


Network	SND-3080/3080F	
OS		Embedded Linux
	Flash memory	32M byte
RAM		256M byte
	Ethernet	RJ-45 (10/100 Base-T)
Video Out		VBS 1.0Vp-p
	Audio	N/A
SD Memory Slot		Yes (SD / SDHC)
	PoE	Yes (IEEE802.3af)
Input / Output		2ea / 2ea
	Compression	H.264 / MPEG-4 / MJPEG Multiple codec (H.264 / MPEG-4 selectable)simultaneous dual streaming
Resolution	4CIF	NTSC : 704 x 480 / PAL : 704 x 576
	VGA	640 x 480
CIF		NTSC : 352 x 240 / PAL : 352 x 288
	Max. Frame Rate	NTSC : 30, 15, 8, 3, 1fps / PAL : 25, 13, 6, 3, 1fps
Quality		1 ~ 10 level (CBR / VBR)
	Compression	N/A
Bi-Directional Communication		N/A
	Camera Control and Adjustment	OSD menu on video (Menu enter/exit, move by Web UI)
Sensitivity and Area Setting		High / Medium / Low
	IP	IPv4 / IPv6
Network Protocol	IPV4	TCP/IP, UDP/IP, RTP (UDP), RTP (TCP), RTSP, NTP, HTTP, HTTPS, SSL, DHCP
	IPV6	PPPoE, FTP, SMTP, ICMP, IGMP, SNMPv1/v2c/v3 (MIB-2), ARP, DNS, DDNS
Streaming		TCP/IP, HTTP, HTTPS, SSL, DHCP
	Unicast, Multicast	
Security		HTTPS (SSL) login authentication, Digest login authentication, IP address filtering
	DDNS	Supporting samsung DDNS and public DDNS services
Maximum User Access		Max. 10 users at Unicast mode, Max. 20 users at Multicast mode
	User Access	Administrator
Operator		Live monitoring, Alarm I/O control, OSD menu control, Set up
	Level	User
Live monitoring		Live monitoring
	Alarm Input	JPEG image transfer : FTP, JPEG image recording : SD memory
Motion Detection		Notification : notify to viewer or by E-mail (one image attachment), Alarm out
	Schedule	JPEG image transfer : FTP, E-mail, JPEG image recording : SD memory
Supported OS		Windows XP, VISTA, 7
	Supported Browser	Internet Explorer 6.0 or higher
UI Language		English, French, German, Spanish, Italian, Chinese, Korean
	S/W Upgrade	Using web viewer UI
RTP / RTSP Streaming		Quicktime, VLC player
	Video Management Software	Samsung CMS S/W, 3rd party S/W application
IP Installation		IP installer application for all Samsung IP devices
	HTTP API	CGI Command
RTP/RTSP API		Provides functionality to control cameras and set/retrieve internal parameter values
	ActiveX	SDK
ActiveX		Get JPEG image or MJPEG stream, Alarm in/out control
	SDK	ActiveX API for viewing data streams from IP camera

Technical Specifications

Camera	SNV-3080	
Camera Type	Color / B/W	Color
Device		Super HAD PS CCD
Size		1/3"
Image	Scan	Progressive Scan (When WDR on, Interlaced Scan)
	Horizontal	NTSC : 811 x 508 / PAL : 795 x 596
Pixels	Total Effective	NTSC : 768 x 494 / PAL : 752 x 582
	Internal Mode	NTSC : 15,734Hz
Scanning	Vertical Frequency	PAL : 15,625Hz
	Internal Mode	NTSC : 59.94Hz
Min. Scene Illumination	Color	0.12Lux (15 IRE) / 0.2Lux (30 IRE) / 0.4Lux (50 IRE)
	Sens-up 512x	0.00023Lux (15 IRE) / 0.0005Lux (30 IRE) / 0.0008Lux (50 IRE)
	Sens-off	0.12Lux (15 IRE) / 0.2Lux (30 IRE) / 0.4Lux (50 IRE)
	Sens-up 512x	0.00023Lux (15 IRE) / 0.0005Lux (30 IRE) / 0.0008Lux (50 IRE)
Functions	Number of Privacy Zone	12ea (4-point polygonal method)
	Day & Night	Color / B/W / Auto (ICR)
	eXtended Dynamic Range (XDR)	On / Off (Level setting)
	Wide Dynamic Range	NTSC : On / Off (128x) / PAL : On / Off (160x)
	Digital Zoom	1x ~ 16x (0.1x step)
	PIP	On / Off
	Electronic Shutter Speed	NTSC : 1/60 ~ 1/10Ksec / PAL : 1/50 ~ 1/10Ksec
	Flickerless	On / Off
	Sens-up (Frame Integration)	2x ~ 512x
	Backlight Compensation	On / Off (Area setting)
	AGC	On / Off (Max. level setting)
	White Balance	ATW1 / ATW2 / AWC / Manual (ATW1 : 2,500 ~ 9,500°K, ATW2 : 2,000 ~ 10,000°K)
Digital Noise Reduction	On / Off (Adaptive 3D + 2D)	
Digital Image Stabilization	On / Off	
Camera ID	On / Off (Max. 54ea / 2 line)	
Etc. Function	Detail, Reverse (H/V), Posi/Nega, PIP	
Resolution	Horizontal / Vertical	600TV lines / 350TV lines
	Video Output	VBS 1.0Vp-p
S/N Ratio		52dB
	Focal Length	2.8 ~ 11mm
Lens	Zoom Ratio	3.9x
	Aperature Ratio	F1.2
	Angular Field of View	H : 94.6°(Wide) ~ 28.8°(Tele) / V : 68.4°(Wide) ~ 21.6°(Tele)
	Mount Type	AI (DC)
Environmental Conditions	Operating Temperature	-40°C ~ +50°C (Built-in fan/heater)
	Operating Humidity	0% ~ 90% RH (Waterproof)
Power	Power Requirement	Dual (12V DC / 24V AC), PoE
	Power Consumption	Max. 8W (Heater off) / Max. 11W (Heater on)
Physical Specification	LED Indicator	Yes
	Dimensions (WxH)	0160 x 134.5mm (6.3" x 5.3")
Weight		1.28Kg (2.82 lb)
Color / Case		White Grey / Aluminum (IP66)

Dimensions



Network	SNV-3080	
OS		Embedded Linux
	Flash memory	32M byte
RAM		256M byte
	Ethernet	RJ-45 (10/100 Base-T)
Video Out		VBS 1.0Vp-p
	Audio	Line in / Line out
SD Memory Slot		Yes (SD / SDHC)
	PoE	Yes (IEEE802.3af)
Input / Output		2ea / 2ea
	Compression	H.264 / MPEG-4 / MJPEG Multiple codec (H.264 / MPEG-4 selectable)simultaneous dual streaming
Resolution	4CIF	NTSC : 704 x 480 / PAL : 704 x 576
	VGA	640 x 480
CIF		NTSC : 352 x 240 / PAL : 352 x 288
	Max. Frame Rate	NTSC : 30, 15, 8, 3, 1fps / PAL : 25, 13, 6, 3, 1fps
Quality		1 ~ 10 level (CBR / VBR)
	Compression	G.711
Bi-Directional Communication		Yes
	Camera Control and Adjustment	OSD menu on video (Menu enter/exit, move by Web UI)
Sensitivity and Area Setting		Scene change, Virtual line, Enter/Exit, Appear/Disappear
	IP	IPv4 / IPv6
Network Protocol	IPV4	TCP/IP, UDP/IP, RTP (UDP), RTP (TCP), RTSP, NTP, HTTP, HTTPS, SSL, DHCP
	IPV6	PPPoE, FTP, SMTP, ICMP, IGMP, SNMPv1/v2c/v3 (MIB-2), ARP, DNS, DDNS
Streaming		TCP/IP, HTTP, HTTPS, SSL, DHCP
	Unicast, Multicast	
Security		HTTPS (SSL) login authentication, Digest login authentication, IP address filtering
	DDNS	Supporting samsung DDNS and public DDNS services
Maximum User Access		Max. 10 users at Unicast mode, Max. 20 users at Multicast mode
	User Access	Administrator
Operator		Live monitoring, Alarm I/O control, OSD menu control, Set up
	Level	User
Live monitoring		Live monitoring
	Alarm Input	JPEG image transfer : FTP, JPEG image recording : SD memory
Motion Detection		Notification : notify to viewer or by E-mail (one image attachment), Alarm out
	Schedule	JPEG image transfer : FTP, E-mail, JPEG image recording : SD memory
Supported OS		Windows XP, VISTA, 7
	Supported Browser	Internet Explorer 6.0 or higher
UI Language		English, French, German, Spanish, Italian, Chinese, Korean
	S/W Upgrade	Using web viewer UI
RTP / RTSP Streaming		Quicktime, VLC player
	Video Management Software	Samsung CMS S/W, 3rd party S/W application
IP Installation		IP installer application for all Samsung IP devices
	HTTP API	CGI Command
RTP/RTSP API		Provides functionality to control cameras and set/retrieve internal parameter values
	ActiveX	SDK
ActiveX		Get JPEG image or MJPEG stream, Alarm in/out control
	SDK	ActiveX API for viewing data streams from IP camera